



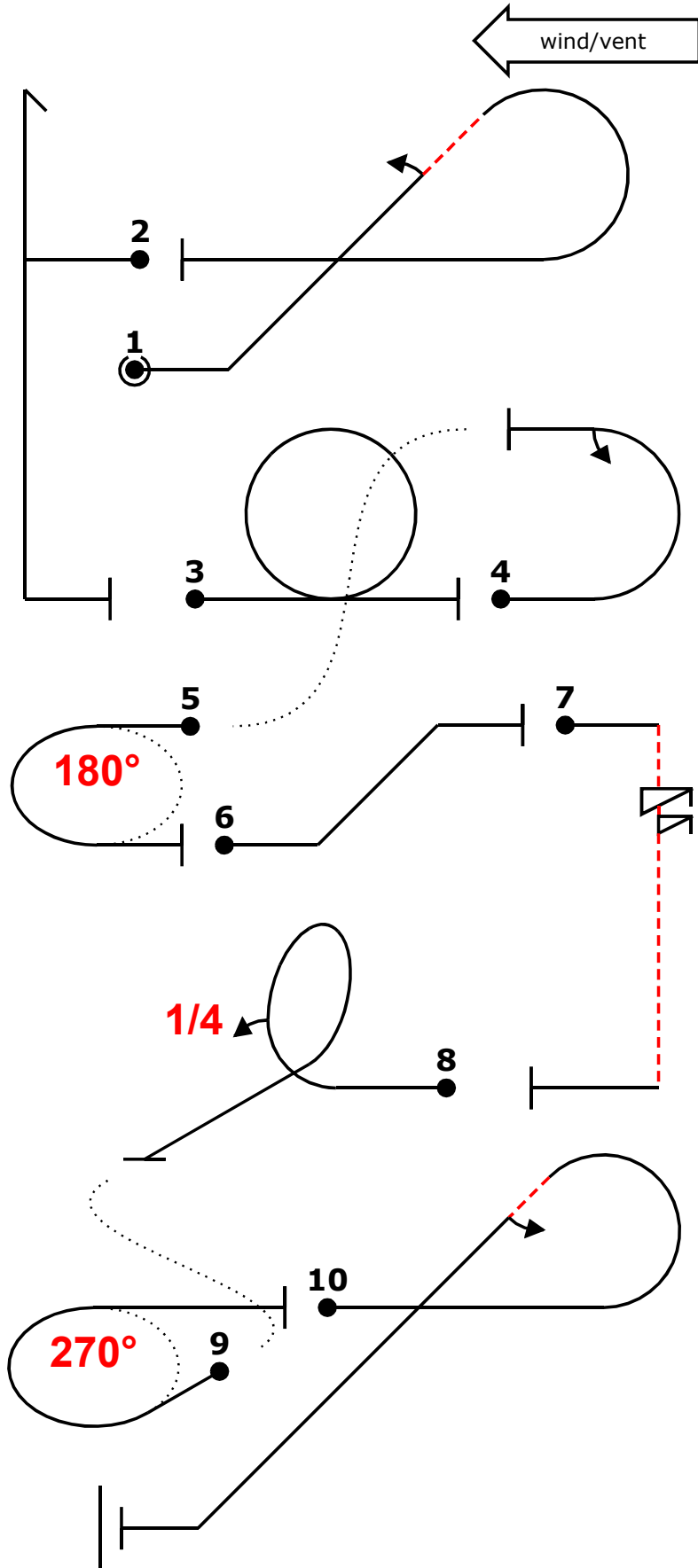
Břeclav (LKBA) The Czech Republic 2021		Form A
Pilot ID	VWAC (BAeA) Sportsman Known	
		Flight #

No	Symbol	Cat. No.	K	Total K	Grade	Pos	Remarks	Item	K	Grade
1		8.5.2.1 9.1.2.2	10 6	16	.			Pos.		
								Harm.	0	
2		5.2.1.1	17	17	.			Fig K	Total K	
								112	112	
3		7.4.1.1	10	10	.			Penalties		
								Too Low		
4		7.2.2.1 9.1.3.2	6 4	10	.			Too High		
								Interruptions		
5		2.2.1.1	4	4	.			Insertions		
								Trg Violation		
6		1.1.2.1	7	7	.			Wing Rocks		
								Disqual Fig		
7		1.1.6.3 9.11.1.6	10 3	13	.			Other(note...)		
								Final Freestyle		
8		0.1	16	16	.			Duration	Min	Sec
9		2.3.1.1	5	5	.			Judges Details		
								Signature		
10		8.5.6.1 9.1.4.2	10 4	14	.			Name		
								Number		

_____ Pilot
 A/C



Břeclav (LKBA) The Czech Republic 2021		Form B
Pilot ID	VWAC (BAeA) Sportsman Known	
		Flight #



— Pilot
..... A/C